

Round Analogue Slave Clocks in ALUMINIUM



Housing: Aluminium (non-corrosive) Size: Ø 400, Ø 600, Ø 800, Ø 900 mm.

- Dial face:** Dial face type A = numerals 1-12 and minute marks in black on white background. Dial face type H = hour- and minute marks in black on white background. Internally illuminated clocks with dial face of white acrylic plastic.
- Hands:** Hour- and minute hand (black) or hour-, minute (black) and sweeping seconds hand (red).
- Housing:** Aluminium painted in dustgrey RAL 7037.
- Operation method:** Slave Clock to be operated by 24 V DC polarised reversing 1/1 -minute impulses (or 1/2 min. impulses) from Westerstrand Master Clock or Time Central. Slave Clocks with sweeping seconds hand also require mains supply 230 VAC. Clocks also available for operation by mains supply 230 VAC, battery (quartz), DCF-receiver, MSF-receiver, IRIG-B or LON-technique (please see separate data sheets).
- Protection glass:** Convex acrylic plastic. Impact-resistant protection of polycarbonate available as option.
- Protection class:** Outdoor = IP54, Indoor = IP52.
- Design:** With or without internal illumination. Single sided for surface wall mounting. Double sided including bracket for either wall mounting or hanging/standing installation. Pole mounting installation device available as option. Final mounting/installation to be advised by client.

Single sided for surface wall mounting

Size	Type of dial face	Indoor min. imp.	Indoor with seconds hand min.imp. + 230 VAC	Outdoor min.imp.	Outdoor with seconds hand min.imp. + 230 VAC	Outdoor/Indoor Illuminated*) min.imp. + 230 VAC	Outdoor/Indoor Illuminated*) with seconds hand min.imp. + 230 VAC
400	A (numerals)		1041124-00	1141120-00	1141124-00	1142120-00	1142124-00
400	H (marks)		1043124-00	1143120-00	1143124-00	1144120-00	1144124-00
600	A (numerals)	1061120-00	1061124-00	1161120-00	1161124-00	1162120-00	1162124-00
600	H (marks)	1063120-00	1063124-00	1163120-00	1163124-00	1164120-00	1164124-00
800	A (numerals)	1081120-00	1081124-00	1181120-00	1181124-00	1182120-00	1182124-00
800	H (marks)	1083120-00	1083124-00	1183120-00	1183124-00	1184120-00	1184124-00
900	A (numerals)	1091120-00	1091124-00	1191120-00	1191124-00	1192120-00	1192124-00
900	H (marks)	1093120-00	1093124-00	1193120-00	1193124-00	1194120-00	1194124-00

Double sided including bracket for either wall mounting, standing on roof or hanging from ceiling.

Alternative/Option to bracket can be offered on request.

N.B! Final mounting/installation to be advised by client.

Size	Type of dial face	Outdoor/Indoor min. imp.	Outdoor/Indoor with seconds hand min.imp. + 230 VAC	Outdoor/Indoor Illuminated *) min.imp. +230 VAC	Outdoor/Indoor Illuminated*) with seconds hand min.imp. + 230 VAC
400	A (numerals)	1441120-00	1441124-00	1442120-00	1442124-00
400	H (marks)	1443120-00	1443124-00	1444120-00	1444124-00
600	A (numerals)	1461120-00	1461124-00	1462120-00	1462124-00
600	H (marks)	1463120-00	1463124-00	1464120-00	1464124-00
800	A (numerals)	1481120-00	1481124-00	1482120-00	1482124-00
800	H (marks)	1483120-00	1483124-00	1484120-00	1484124-00
900	A (numerals)	1491120-00	1491124-00	1492120-00	1492124-00
900	H (marks)	1493120-00	1493124-00	1494120-00	1494124-00

*) Tube No. 892100-00 to be ordered separately for ø 600, ø 800 and ø 900 mm. Tube No 38794-00 to be ordered separately for ø 400 mm.

TECHNICAL DATAS

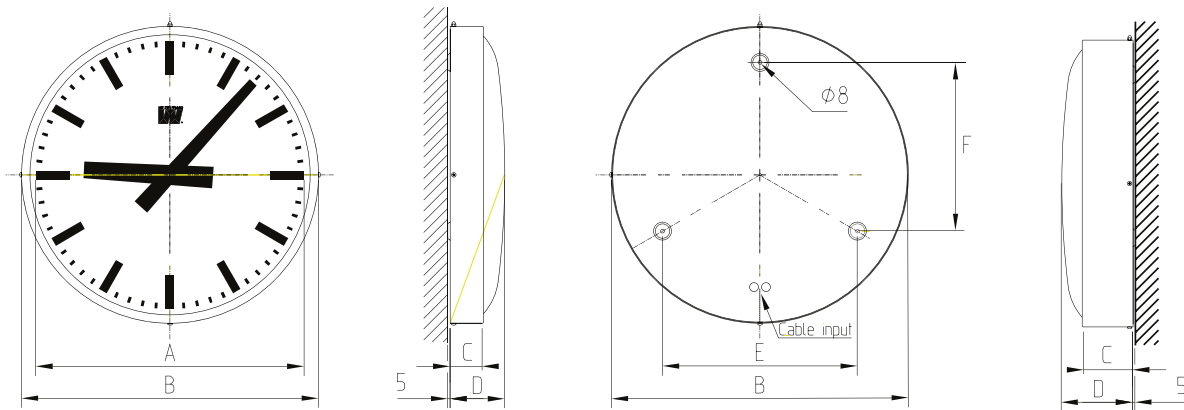
Viewing distance:

- ∅ 400 mm. = 25 metres
- ∅ 600 mm. = 50 metres
- ∅ 800 mm. = 80 metres
- ∅ 900 mm. = 100 metres

Power consumption at 24VDC impulse:

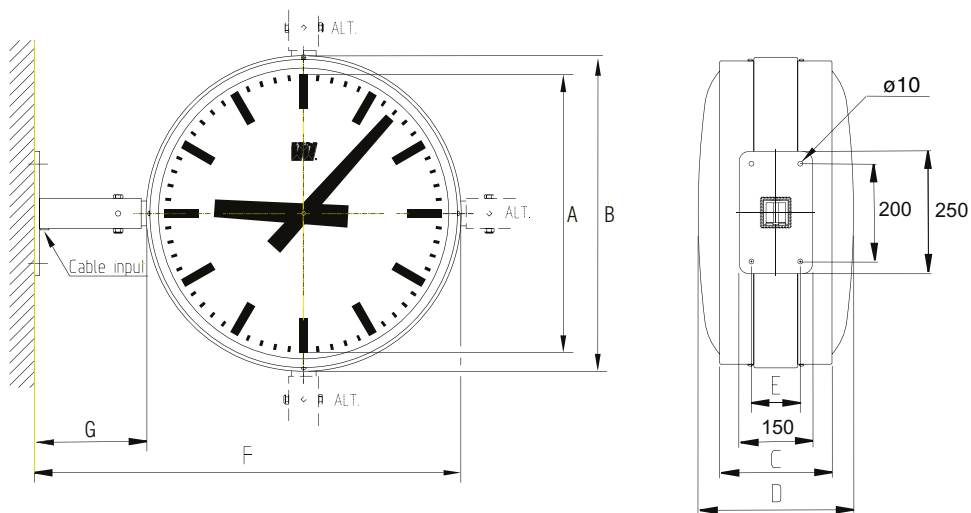
- Single sided = 15 mA
- Double sided = 30 mA

Single sided



SINGLE SIDED	Size	A	B	C	D	E	F	WEIGHT KGS	SINGLE SIDED ILLUMINATED	Size	A	B	C	D	E	F	WEIGHT KGS
	∅ 400	∅ 380	∅ 406	70	95	255	222	1,5		∅ 400	∅ 380	∅ 406	110	135	255	222	2,5
∅ 600	∅ 560	∅ 620	70	115	407	352	5,0	∅ 600	∅ 560	∅ 620	110	155	407	352	6,5		
∅ 800	∅ 760	∅ 820	70	125	580	502	8,5	∅ 800	∅ 760	∅ 820	110	165	580	502	10,0		
∅ 900	∅ 860	∅ 920	70	125	667	577	10,0	∅ 900	∅ 860	∅ 920	110	165	667	577	11,5		

Double sided



DOUBLE SIDED	Size	A	B	C	D	E	F	G	WEIGHT KGS	DOUBLE SIDED ILLUMINATED	Size	A	B	C	D	E	F	G	WEIGHT KGS
	∅ 400	∅ 380	∅ 425	230	275	75	625	200	4,0		∅ 400	∅ 380	∅ 425	230	275	75	625	200	4,5
∅ 600	∅ 560	∅ 635	230	320	100	860	225	12,0	∅ 600	∅ 560	∅ 635	230	320	100	860	225	13,5		
∅ 800	∅ 760	∅ 835	230	340	100	1060	225	17,0	∅ 800	∅ 760	∅ 835	230	340	100	1060	225	18,5		
∅ 900	∅ 860	∅ 935	230	340	100	1160	225	19,5	∅ 900	∅ 860	∅ 935	230	340	100	1160	225	21,0		